



POLYAGRAM[®]

katalog proizvoda | product catalog

2019 | 2020

www.polyagram.rs



Kompanija POLYAGRAM je osnovana 1992. godine kao specijalizovana za proizvodnju opreme za kupatila. Njen proizvodni program čine: akrilne kade i tuš kade, hidromasažne – terapeutske kade, kabine i paravani za sve vrste kada, liveni sanitarni mermer, lavaboi, sudopere i nameštaj za kupatila. Imamo sopstveni razvoj proizvoda i tehnologije, kao i preko 300 prodavaca i distributera u regionu i šire.

POLYAGRAM company was founded in 1992 as a specialist for the production of bathroom equipment. Its product lines include: acrylic bathtubs and shower trays, hydro - therapeutic baths, cabins and screens for all types of bathtubs, cast sanitary marble, washbasins, sinks and bathroom furniture. We have our own product development and technology, as well as over 300 dealers and distributors in the region and beyond.

Prednosti naše ponude | The advantages of our offer

Nudimo najkompletniji asortiman opreme za kupatila na jednom mestu, što omogućava isplativu specijalizaciju naših distributera i sniženje troškova poslovanja. Nudimo najbolji kvalitet za konkurentnu cenu. Naš brend, međunarodno pravno zaštićen, prepoznatljiv je i proveren na tržištu. Naši dobavljači osnovnih materijala identični su sa izvorima snabdevanja najpoznatijih svetskih marki. Posedujemo sve potrebne sertifikate o sigurnosti i saobraznosti proizvoda.

We offer the most complete range of bathroom accessories at one place, allowing cost-effective specialization of our distributors and lowering operating costs. We offer the best quality for a competitive price. Our brand, internationally legally protected, is recognizable and tested on the market. Our suppliers of basic materials are identical with the sources of supply of the world's most famous brands. We have all the necessary certificates on safety and conformity of products.





POLYAGRAM®

katalog proizvoda | product catalog

Sanitarni akril | Sanitary acrylic

Sve naše kade su proizvedene od sanitarnog akrila, tj. specijalne vrste tog materijala zdravstveno pogodnog i dozvoljenog za sanitarnu i prehrambenu industriju. Akrilne ploče su antibaktericidne i otporne na UV zračenje. Naše akrilne kade imaju visoki sjaj, ugodne su na dodir i pri nižim temperaturama okoline, zbog dobre toplotne izolacije. Akrilne površine se lako čiste i održavaju jer nečistoće iz vode i taloga ne prijanjaju kao kod drugih materijala. Čišćenje kada se vrši mekim sunderom ili krpom sa tečnim deterdžentom. Ne upotrebljavati abrazivna sredstva za čišćenje, ona koja sadrže čvrste čestice, jer bi se na taj način oštetio sjaj kade. Ako je potrebno, poliranje kade se može vršiti finom pastom za poliranje nanetom na krpu.

All our bathtubs are made of sanitary acrylic, ie. special types of the material suitable and allowed for sanitary and food industries. Acrylic sheets are anti-bactericidal and resistant to UV radiation. Our acrylic bathtubs have a high gloss, pleasant to the touch and at lower ambient temperatures, due to its good thermal insulation. The acrylic surface is easy to clean and maintain because impurities from the water and sediment do not adhere as other materials. Cleaning is done with a soft sponge or cloth with liquid detergent. Do not use abrasive cleaners, one that consists of solid particles, because it would be so damaged the glow of the tub. If necessary, polishing baths can be made with fine polishing paste applied to the cloth.

O nama

About Us

Ugaone kade i obloge

Corner bathtubs and lining

Pravougaone kade

Rectangular bathtubs

Specijalni oblici kada

Special shaped bathtubs

Tuš kade

Shower trays

Tuš kade ø90

Shower trays ø90

Tuš kade Alfa

Shower trays Alfa

Tuš kabine

Shower enclosures

Kabine za ugaone kade

Cabins for corner bathtubs

Paravani

Bathtubs screens

Hidromasažni sistemi

Hydromassage systems

Agramstone liveni mermer

Agramstone cast marble

Medicinske kade

Medical bathtubs

Dodatna oprema - Geberit sifoni

Accessories - Geberit siphons



Ugaone kade i obloge | Corner bathtubs and panel

Ugaone kade su proizvedene od specijalne vrste akrilnih ploča za sanitarnu upotrebu. Proizvođači akrilnih ploča, naši dobavljači, jesu najpoznatije kompanije iz EU. Akrilne ploče su anti-baktericidne i otporne na UV zračenje. Ugaone kade se isporučuju u kompletu sa postoljima od plastificiranog čelika i specijalnim oblogama – stranicama ili bez njih. Ugaone kade se lako montiraju, održavaju i čiste i udobne su za upotrebu. Prečnici otvora za ispuštanje vode i za prelivni odvod iznose Ø52 mm.

Corner bathtubs are made of special types of acrylic sheets for sanitary use. Manufacturers of acrylic sheets, our suppliers, are the best known companies in the EU. Acrylic sheets are antibactericidal and resistant to UV radiation. Corner bathtubs are supplied in the kit with frame of coated steel and side lining or without. The bathtubs are easy to install, maintain and clean, as well as comfortable to use. The diameters of the holes for water discharge and overflow drain are Ø 52 mm.

A corner bathtub is the central focus, set in a modern bathroom. The tub is white with a chrome faucet and is surrounded by a grey mosaic tile deck. A window with white blinds is on the right, showing a view of greenery. On the wall above the tub is a framed picture of water droplets on a green surface. A small wooden tray with toiletries and folded towels sits on the deck next to the tub.

POLYAGRAM[®]

UGAONE KADE I OBLOGE
Corner bathtubs and panel





Lara leva/desna

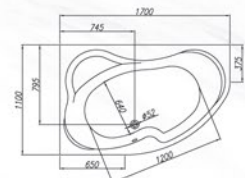
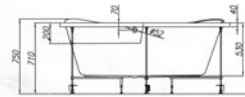
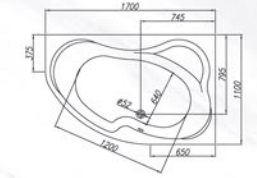
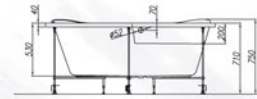
dimenzija/dimension:
170 x 110 cm

Akrilna kada je ojačana poliesterskim kompozitom uz dodatno ojačanje dna kade.

Acrylic shower tray is reinforced by polyester composite with an additional reinforcement of the bottom.



Ugaone kade i obloge

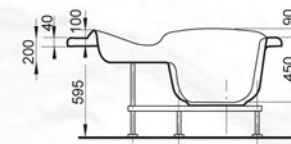
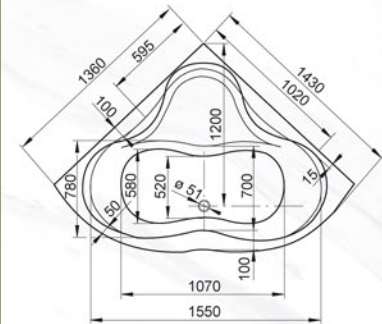


Verona

dimenzije/dimensions:
143 x 143 cm

Nevidljiva strana akrilne kade je ojačana poliesterskim kompozitom uz dodatno ojačanje dna kade.

The invisible side of acrylic bathtub is reinforced by polyester composite with an additional reinforcement of the tube bottom.

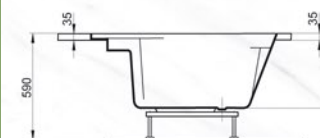
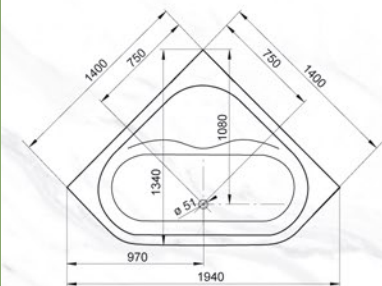


Dalas

dimenzije/dimensions:
140 x 140 cm

Nevidljiva strana akrilne kade je ojačana poliesterskim kompozitom uz dodatno ojačanje dna kade.

The invisible side of acrylic bathtub is reinforced by polyester composite with an additional reinforcement of the tube bottom.



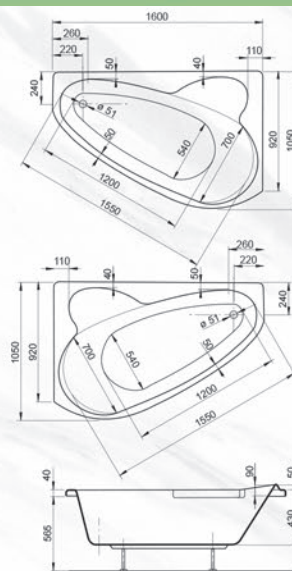


Rio leva/desna

dimenzije/dimensions:
160 x 105 cm

Akrilna kada je ojačana poliesterskim kompozitom uz dodatno ojačanje dna kade.

Acrylic shower tray is reinforced by polyester composite with an additional reinforcement of the bottom.

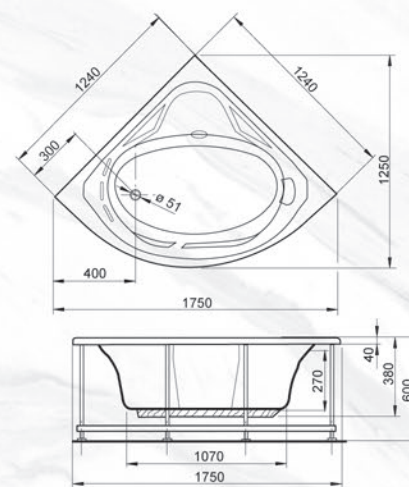


Athena

dimenzije/dimensions:
125 x 125 cm

Nevidljiva strana akrilne kade je ojačana poliesterskim kompozitom uz dodatno ojačanje dna kade.

The invisible side of acrylic bathtub is reinforced by polyester composite with an additional reinforcement of the tube bottom.

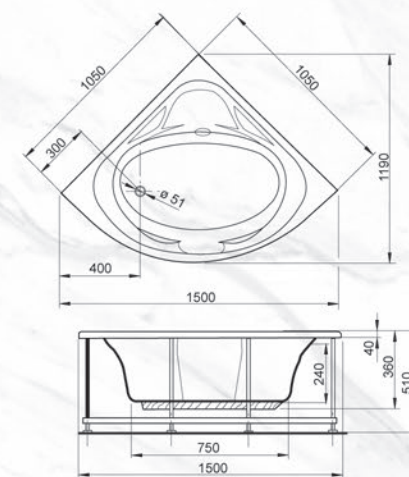


Miami

dimenzije/dimensions:
105 x 105 cm

Nevidljiva strana akrilne kade je ojačana poliesterskim kompozitom uz dodatno ojačanje dna kade.

The invisible side of acrylic bathtub is reinforced by polyester composite with an additional reinforcement of the tube bottom.





Pravougaone kade | Rectangular bathtubs

Pravougaone kade su proizvedene od specijalne vrste akrilnih ploča za sanitarnu upotrebu. Proizvođači akrilnih ploča, naši dobavljači, jesu najpoznatije kompanije iz EU. Akrilne ploče su anti-baktericidne i otporne na UV zračenje. Pravougaone kade se isporučuju u kompletu sa postoljima od plastificiranog čelika i specijalnim oblogama – stranicama ili bez njih. Kade se lako montiraju, održavaju i čiste i udobne su za upotrebu. Prečnici otvora za ispuštanje vode i za prelivni odvod iznose Ø52 mm.

Rectangular bathtubs are made of special types of acrylic sheets for sanitary use. Manufacturers of acrylic sheets, our suppliers, are the best known companies in the EU. Acrylic sheets are anti-bactericidal and resistant to UV radiation. Rectangular bathtubs are supplied in the kit with frame of coated steel and side lining or without. The bathtubs are easy to install, maintain and clean, as well as comfortable to use. The diameters of the holes for water discharge and overflow drain are Ø52 mm.

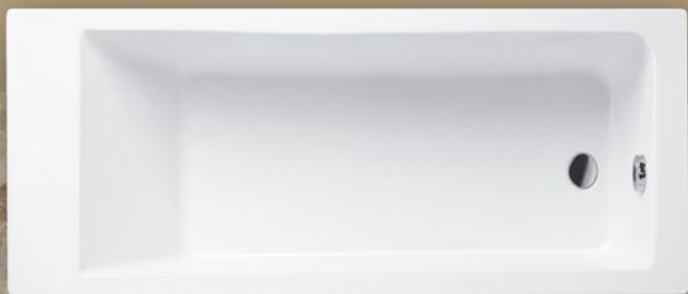


PÖLYAGRAM®

PRAVOUGAONE KADE

Rectangular bathtubs

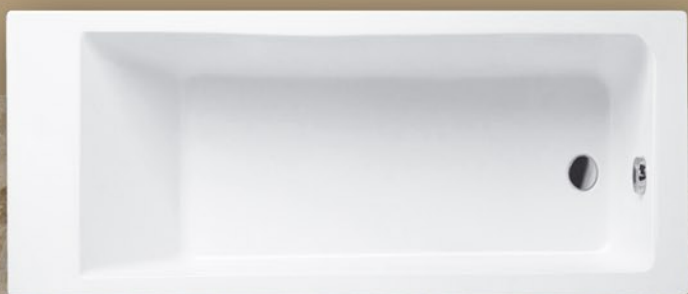
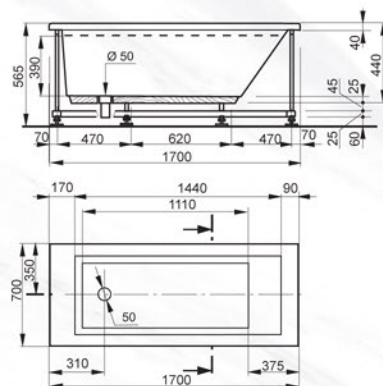




Hektor

dimenzije/dimensions:
170 x 70 cm

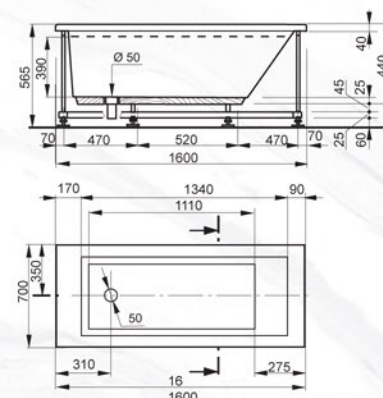
Akrilna kada je ojačana poliesterskim kompozitom uz dodatno ojačanje dna kade.
Acrylic shower tray is reinforced by polyester composite with an additional reinforcement of the bottom.



Hektor

dimenzije/dimensions:
160 x 70 cm

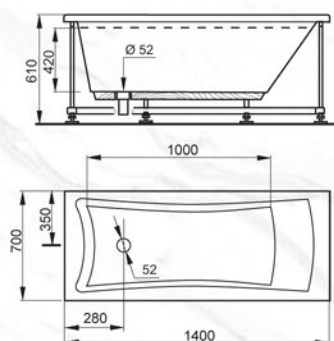
Nevidljiva strana akrilne kade je ojačana poliesterskim kompozitom uz dodatno ojačanje dna kade.
The invisible side of acrylic bathtub is reinforced by polyester composite with an additional reinforcement of the tube bottom.



Hera

dimenzija/dimension:
140 x 70 cm

Nevidljiva strana akrilne kade je ojačana poliesterskim kompozitom uz dodatno ojačanje dna kade.
The invisible side of acrylic bathtub is reinforced by polyester composite with an additional reinforcement of the tube bottom.

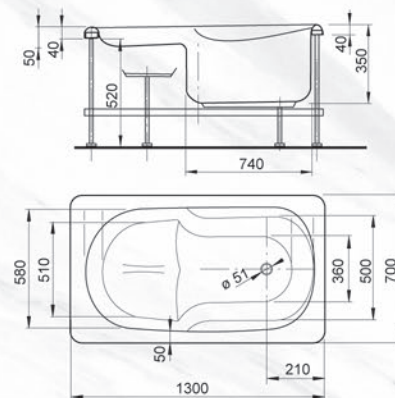




Triton

dimenzije/dimensions:
130 x 70 cm

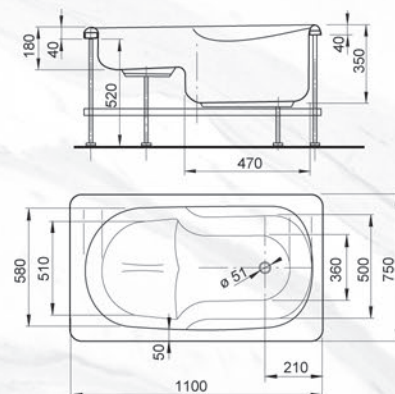
Akrilna kada je ojačana poliesterskim kompozitom uz dodatno ojačanje dna kade.
Acrylic shower tray is reinforced by polyester composite with an additional reinforcement of the bottom.



Triton

dimenzije/dimensions:
110 x 75 cm

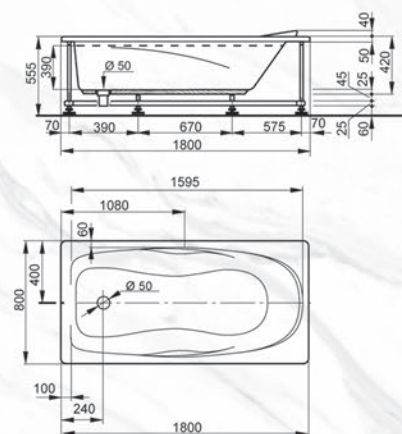
Nevidljiva strana akrilne kade je ojačana poliesterskim kompozitom uz dodatno ojačanje dna kade.
The invisible side of acrylic bathtub is reinforced by polyester composite with an additional reinforcement of the tube bottom.

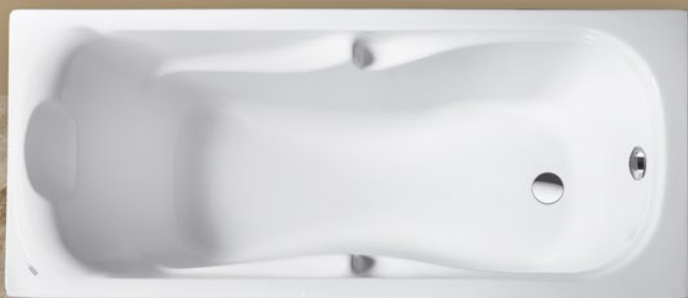


Florida

dimenzija/dimension:
180 x 80 cm

Nevidljiva strana akrilne kade je ojačana poliesterskim kompozitom uz dodatno ojačanje dna kade.
The invisible side of acrylic bathtub is reinforced by polyester composite with an additional reinforcement of the tube bottom.



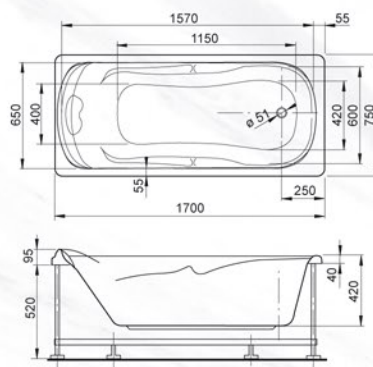


Geneva

dimenzije/dimensions:
170 x 75 cm

Akrilna kada je ojačana poliesterskim kompozitom uz dodatno ojačanje dna kade.

Acrylic shower tray is reinforced by polyester composite with an additional reinforcement of the bottom.

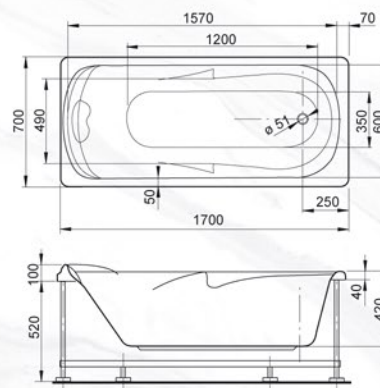


Roma

dimenzije/dimensions:
170 x 70 cm

Nevidljiva strana akrilne kade je ojačana poliesterskim kompozitom uz dodatno ojačanje dna kade.

The invisible side of acrylic bathtub is reinforced by polyester composite with an additional reinforcement of the tube bottom.

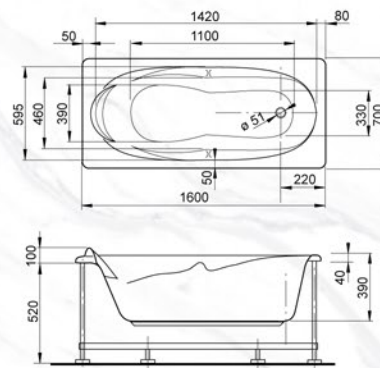


Monako

dimenzija/dimension:
160 x 70 cm

Nevidljiva strana akrilne kade je ojačana poliesterskim kompozitom uz dodatno ojačanje dna kade.

The invisible side of acrylic bathtub is reinforced by polyester composite with an additional reinforcement of the tube bottom.

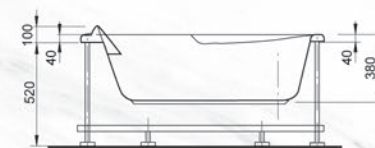
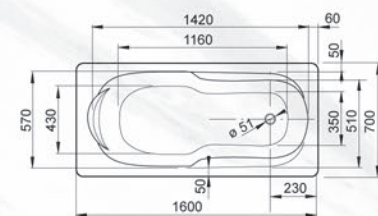




Paris

dimenzije/dimensions:
160 x 70 cm

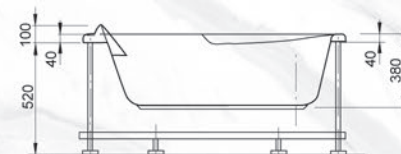
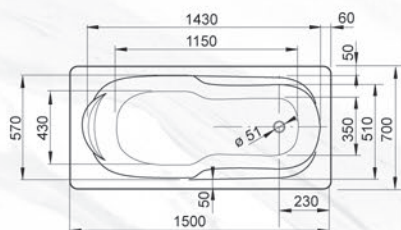
Akrilna kada je ojačana poliesterskim kompozitom uz dodatno ojačanje dna kade.
Acrylic shower tray is reinforced by polyester composite with an additional reinforcement of the bottom.



Nica

dimenzije/dimensions:
150 x 70 cm

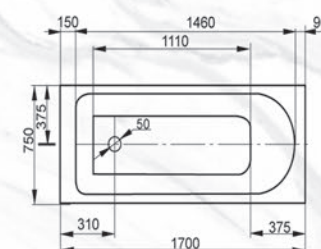
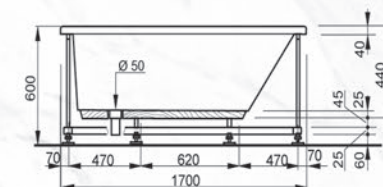
Nevidljiva strana akrilne kade je ojačana poliesterskim kompozitom uz dodatno ojačanje dna kade.
The invisible side of acrylic bathtub is reinforced by polyester composite with an additional reinforcement of the tube bottom.



Solun

dimenzija/dimension:
170 x 75 cm

Nevidljiva strana akrilne kade je ojačana poliesterskim kompozitom uz dodatno ojačanje dna kade.
The invisible side of acrylic bathtub is reinforced by polyester composite with an additional reinforcement of the tube bottom.



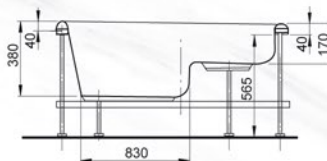
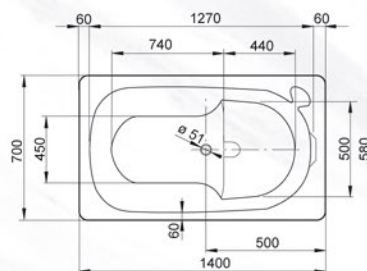


Firenca

dimenzije/dimensions:
140 x 70 cm

Akrilna kada je ojačana poliesterskim kompozitom uz dodatno ojačanje dna kade.

Acrylic shower tray is reinforced by polyester composite with an additional reinforcement of the bottom.



Pravougaone kade

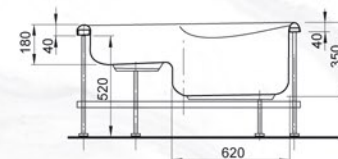
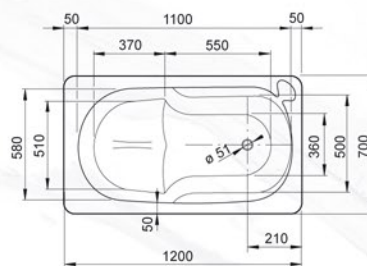


Lion

dimenzije/dimensions:
120 x 70 cm

Nevidljiva strana akrilne kade je ojačana poliesterskim kompozitom uz dodatno ojačanje dna kade.

The invisible side of acrylic bathtub is reinforced by polyester composite with an additional reinforcement of the tube bottom.

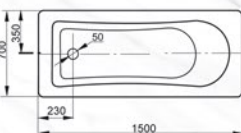
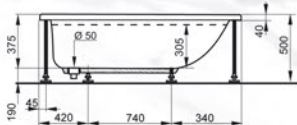
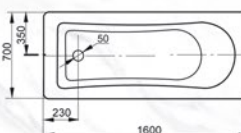
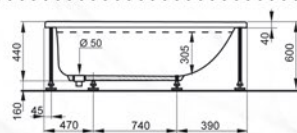


Marsej

dimenzija/dimension:
160 x 70 cm
150 x 70 cm

Nevidljiva strana akrilne kade je ojačana poliesterskim kompozitom uz dodatno ojačanje dna kade.

The invisible side of acrylic bathtub is reinforced by polyester composite with an additional reinforcement of the tube bottom.

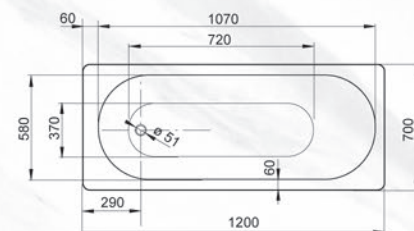




Klasik

dimenzije/dimensions:
120 x 70 cm

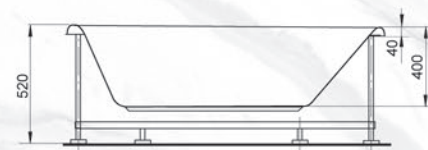
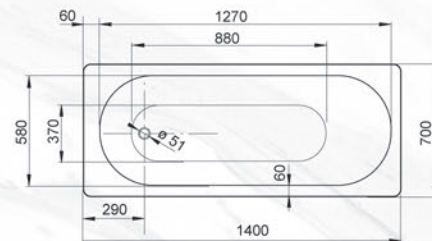
Akrilna kada je ojačana poliesterskim kompozitom uz dodatno ojačanje dna kade.
Acrylic shower tray is reinforced by polyester composite with an additional reinforcement of the bottom.



Klasik

dimenzije/dimensions:
140 x 70 cm

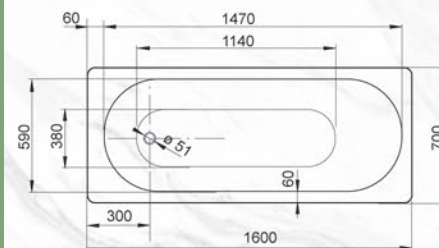
Nevidljiva strana akrilne kade je ojačana poliesterskim kompozitom uz dodatno ojačanje dna kade.
The invisible side of acrylic bathtub is reinforced by polyester composite with an additional reinforcement of the tube bottom.



Klasik

dimenzija/dimension:
160 x 70 cm

Nevidljiva strana akrilne kade je ojačana poliesterskim kompozitom uz dodatno ojačanje dna kade.
The invisible side of acrylic bathtub is reinforced by polyester composite with an additional reinforcement of the tube bottom.





Specijalni oblici kada | Special bathtub shapes

Kade specijalnih oblika odgovaraju onim kupcima koji imaju posebne zahteve u pogledu veličine, dizajna i komfora. I ove kade su proizvedene od akrilnih ploča za sanitarnu upotrebu, proizvedene u najpoznatijim kompanijama iz EU. Kade su anti-baktericidne i otporne na UV zračenje i isporučuju se, po pravilu, u kompletu zajedno sa postoljima od plastificiranog čelika i sa oblogama. Kade se lako montiraju, održavaju i čiste i udobne su za upotrebu.

Special shaped bathtubs correspond to those customers who have specific requirements in terms of size, design and comfort. These bathtubs are also made of acrylic sheets for sanitary use, produced by the most famous companies in the EU. Bathtubs are anti-bactericidal and resistant to UV radiation and are delivered, as a rule, complete with coated steel pedestals and the lining. Bathtubs are easy to install, maintain and clean, as well as very comfortable to use.

POLYAGRAM[®]

SPECIJALNI OBLICI KADA

Special bathtub shapes

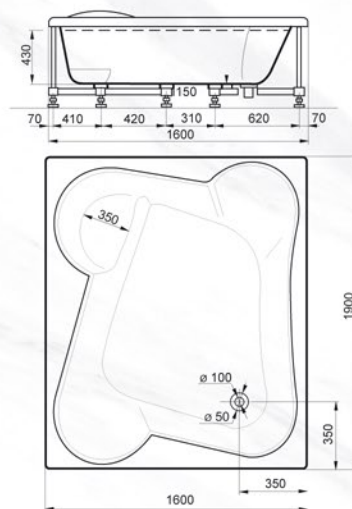




Troja

dimenzije/dimensions:
190 x 160 cm

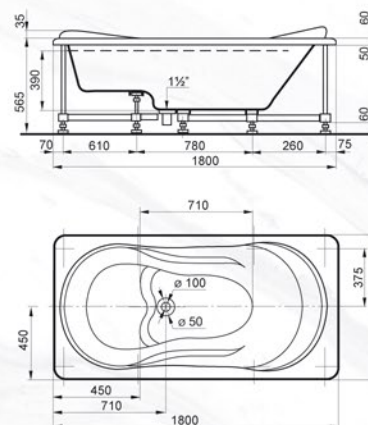
Akrilna kada je ojačana poliesterskim kompozitom uz dodatno ojačanje dna kade.
Acrylic shower tray is reinforced by polyester composite with an additional reinforcement of the bottom.



Prag

dimenzije/dimensions:
180 x 90 cm

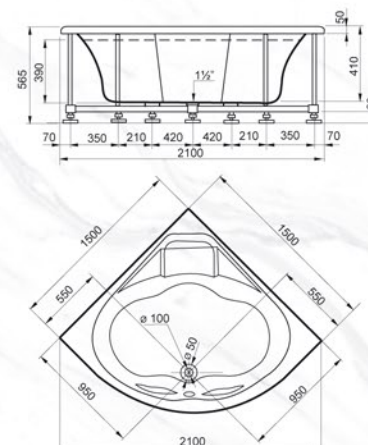
Nevidljiva strana akrilne kade je ojačana poliesterskim kompozitom uz dodatno ojačanje dna kade.
The invisible side of acrylic bathtub is reinforced by polyester composite with an additional reinforcement of the tube bottom.



Malaga

dimenzija/dimension:
150 x 150 cm

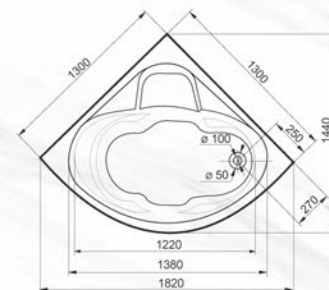
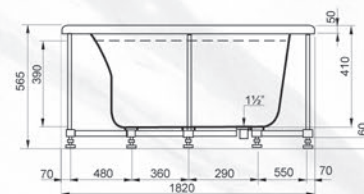
Nevidljiva strana akrilne kade je ojačana poliesterskim kompozitom uz dodatno ojačanje dna kade.
The invisible side of acrylic bathtub is reinforced by polyester composite with an additional reinforcement of the tube bottom.



Majorka

dimenzije/dimensions:
130 x 130 cm

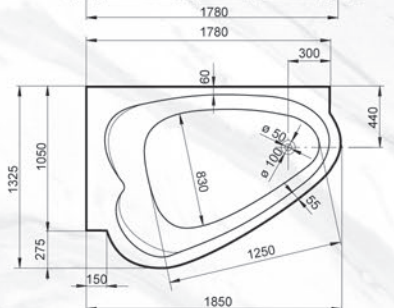
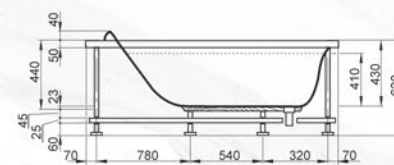
Akrilna kada je ojačana poliesterskim kompozitom uz dodatno ojačanje dna kade.
Acrylic shower tray is reinforced by polyester composite with an additional reinforcement of the bottom.



Valensija leva

dimenzije/dimensions:
178 x 105 cm

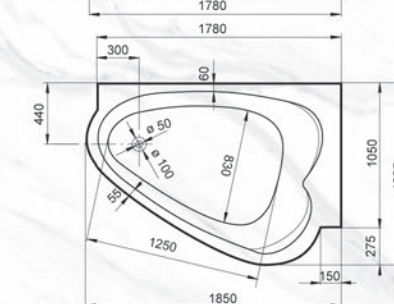
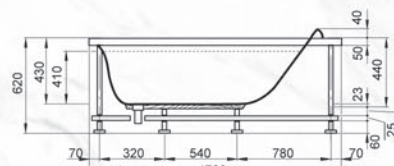
Nevidljiva strana akrilne kade je ojačana poliesterskim kompozitom uz dodatno ojačanje dna kade.
The invisible side of acrylic bathtub is reinforced by polyester composite with an additional reinforcement of the tube bottom.



Valensija desna

dimenzija/dimension:
178 x 105 cm

Nevidljiva strana akrilne kade je ojačana poliesterskim kompozitom uz dodatno ojačanje dna kade.
The invisible side of acrylic bathtub is reinforced by polyester composite with an additional reinforcement of the tube bottom.





Tuš kade | Shower trays

Tuš kade su izrađene od visoko-kvalitetnog akrila za sanitarnu upotrebu, anti-baktericidnog i otpornog na UV zračenje. Donja strana tuš kade je specijalno ojačana. Tuš kade se, po pravilu, isporučuju u setu sa specijalnim pocinkovanim metalnim postoljem i bočnim oblogama od akrila, ali se mogu isporučivati i bez njih za slučaj građevinske ugradnje. Takođe se mogu naručivati u kompletu sa tuš kabinama (videti naredne stranice kataloga). Nudimo i tuš kade specijalnih oblika sa povećanom dubinom – duboke tuš kade.

Shower trays are made of high-quality acrylic for sanitary use, anti-bactericidal and resistant to UV radiation. The underside of the shower tray is specially reinforced. Shower trays, as a rule, we deliver as a set with a special metal base and side walls of acrylic, but can be delivered without them in case of the building installation. You can also order as a complete with shower enclosures (see the next pages of the catalog). We also offer special forms of shower trays with increased depth - deep shower trays.

POLYAGRAM[®]

TUŠ KADE

Shower trays

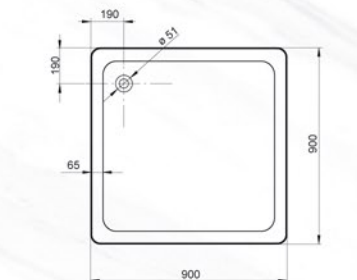
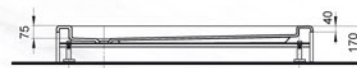
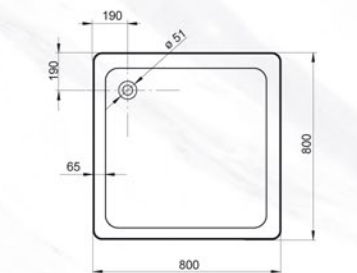




Kvadratne tuš kade / Square shower trays

dimenzije/dimensions:
80 x 80 cm
90 x 90 cm

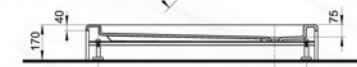
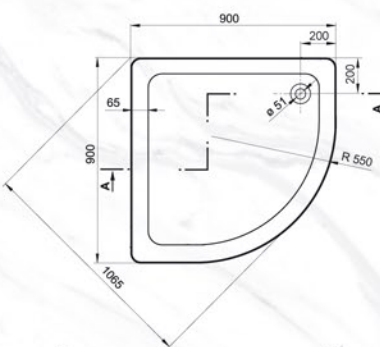
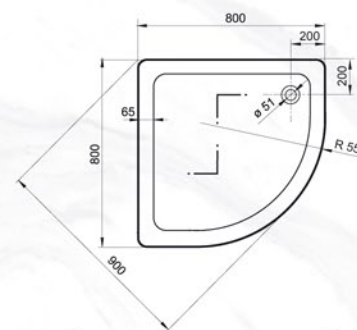
Akrilna tuš kada je ojačana poliesterskim kompozitom uz dodatno ojačanje dna kade.
Acrylic shower tray is reinforced by polyester composite with an additional reinforcement of the shower tray bottom.



Zaobljene tuš kade / Rounded shower trays

dimenzije/dimensions:
80 x 80 cm
90 x 90 cm

Akrilna tuš kada je ojačana poliesterskim kompozitom uz dodatno ojačanje dna kade.
Acrylic shower tray is reinforced by polyester composite with an additional reinforcement of the shower tray bottom.



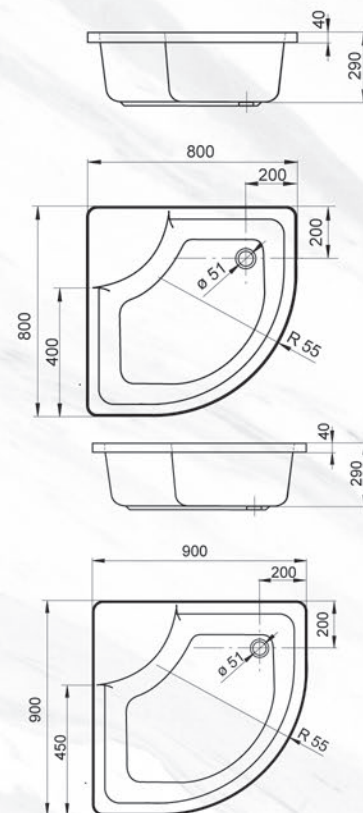


**Zaobljena tuš kada
duboka /
Deep shower trays**

dimenzije/dimensions:
80 x 80 cm
90 x 90 cm

Akrilna tuš kada je ojačana poliesterskim kompozitom uz dodatno ojačanje dna kade.

Acrylic shower tray is reinforced by polyester composite with an additional reinforcement of the shower tray bottom.

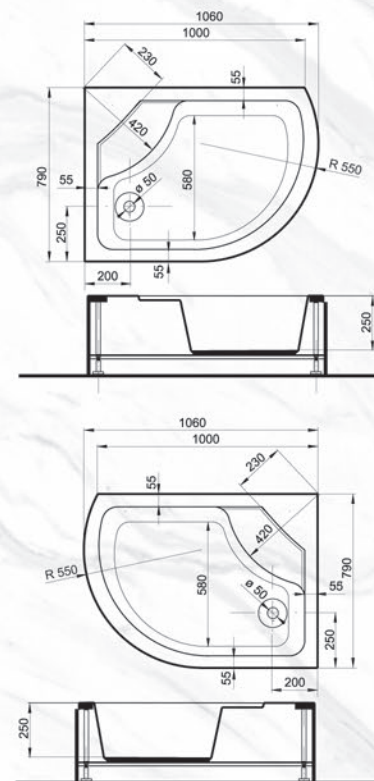


Elena
leva \ desna

dimenzije/dimensions:
110 x 80 cm

Akrilna tuš kada je ojačana poliesterskim kompozitom uz dodatno ojačanje dna kade.

Acrylic shower tray is reinforced by polyester composite with an additional reinforcement of the shower tray bottom.





Tuš kade | Shower trays Ø90

Tuš kade sa povećanim otvorom za odvod vode (Ø 90 mm) izrađujemo u više oblika i dimenzija. Ove tuš kade se razlikuju i po tome što su tuš kada i stranice iz jednog dela. Tuš kada je posebno ojačana sa donje strane te se može postaviti direktno na pod kupatila.

Shower baths with increased holes for drainage (Ø 90 mm) are produced in several shapes and sizes. These shower trays are distinguished by the fact that the shower and the vertical sides are of one piece. Shower is specially reinforced on the bottom side and can be mounted directly on the bathroom floor.

POLYAGRAM®

TUŠ KADE Ø90

Shower trays



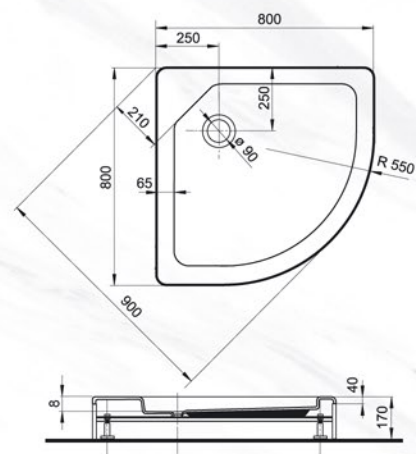


Mars

dimenzije/dimensions:
80 x 80 cm

Akrilna kada je ojačana poliesterskim kompozitom uz dodatno ojačanje dna kade.

Acrylic shower tray is reinforced by polyester composite with an additional reinforcement of the shower tray bottom.

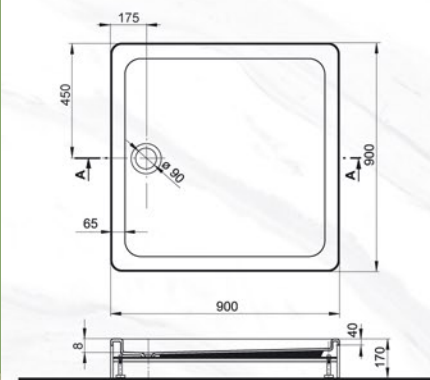


Jupiter

dimenzije/dimensions:
90 x 90 cm

Nevidljiva strana akrilne kade je ojačana poliesterskim kompozitom uz dodatno ojačanje dna kade.

Acrylic shower tray is reinforced by polyester composite with an additional reinforcement of the shower tray bottom.

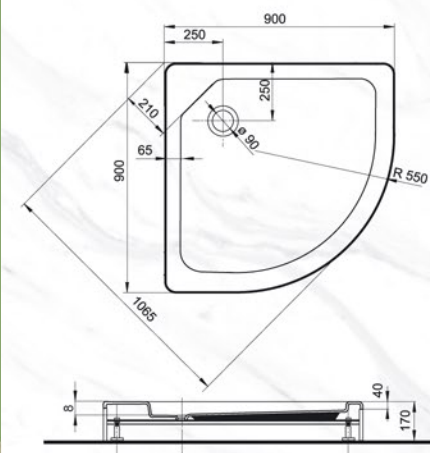


Uran

dimenzija/dimension:
90 x 90 cm

Nevidljiva strana akrilne kade je ojačana poliesterskim kompozitom uz dodatno ojačanje dna kade.

Acrylic shower tray is reinforced by polyester composite with an additional reinforcement of the shower tray bottom.

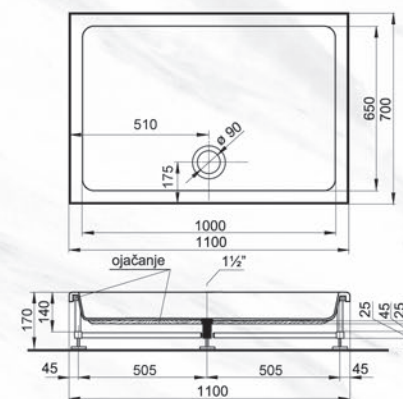




Merkur

dimenzije/dimensions:
110 x 70 cm

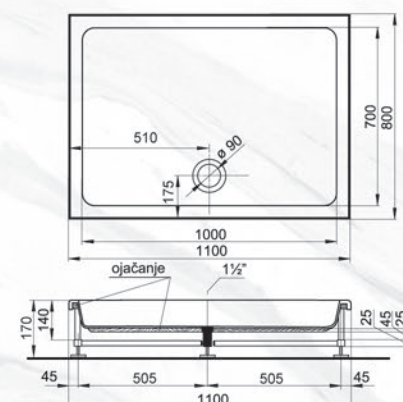
Akrilna kada je ojačana poliesterskim kompozitom uz dodatno ojačanje dna kade.
Acrylic shower tray is reinforced by polyester composite with an additional reinforcement of the shower tray bottom.



Pluton

dimenzije/dimensions:
110 x 80 cm

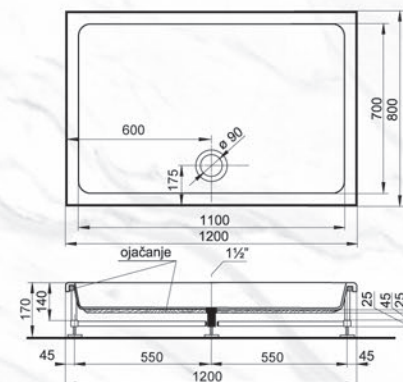
Nevidljiva strana akrilne kade je ojačana poliesterskim kompozitom uz dodatno ojačanje dna kade.
Acrylic shower tray is reinforced by polyester composite with an additional reinforcement of the shower tray bottom.



Saturn

dimenzija/dimension:
120 x 80 cm

Nevidljiva strana akrilne kade je ojačana poliesterskim kompozitom uz dodatno ojačanje dna kade.
Acrylic shower tray is reinforced by polyester composite with an additional reinforcement of the shower tray bottom.





Tuš kade | Shower trays Alfa

Tuš kade Alfa karakteriše poseban dizajn i veliki dijapazon dimenzija. Ova grupa tuš kada u svom sastavu ima samu tuš kadu, bočne stranice i postolje. Tuš kade i stranice su napravljene od sanitarnih akrilnih ploča visokog kvaliteta i otpornih na UV zračenje. Tuš kade su ojačane poliesterskim kompozitom.

Shower trays Alfa are characterized by a special design and a large range of sizes. This group shower trays consists of a shower shell itself, the lateral vertical sides and a special stand. Shower trays and vertical sides are made of sanitary acrylic sheets of high quality and resistant to UV radiation. Shower trays are reinforced by polyester composite.

POLYAGRAM[®]

TUŠ KADE ALFA

Shower trays Alfa





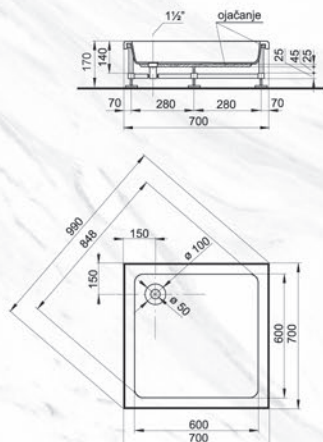
Tuš kade | Shower trays Alfa

Akrilna kada je ojačana poliesterskim kompozitom uz dodatno ojačanje dna kade.

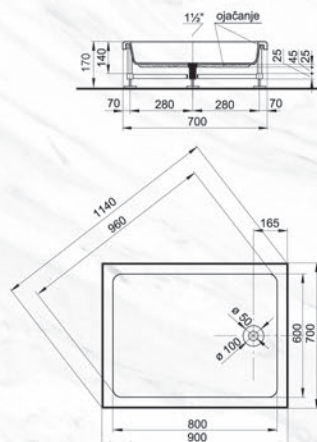
Acrylic shower tray is reinforced by polyester composite with an additional reinforcement of the shower tray bottom.



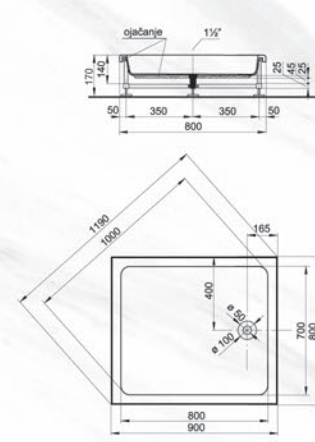
Alfa dimenzije/dimensions:
70x 70 cm



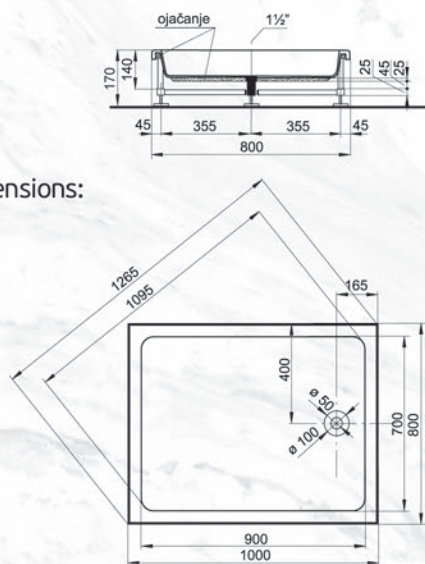
Alfa dimenzije/dimensions:
70 x 90 cm



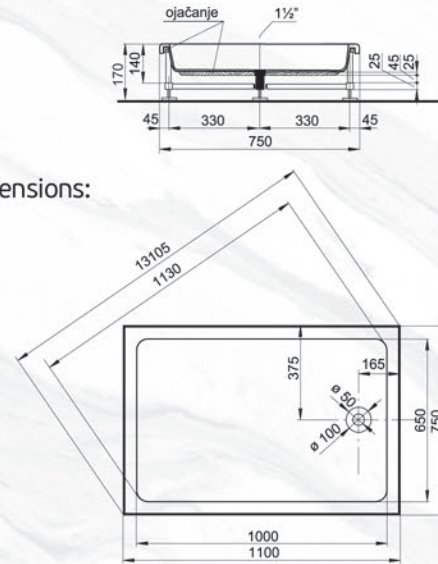
Alfa dimenzije/dimensions:
90 x 80 cm



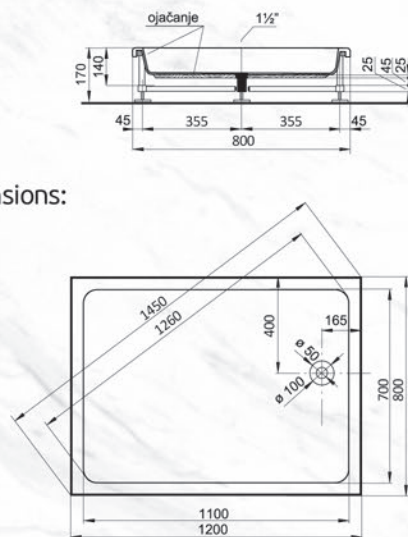
Alfa
dimenzije/dimensions:
100 x 80 cm



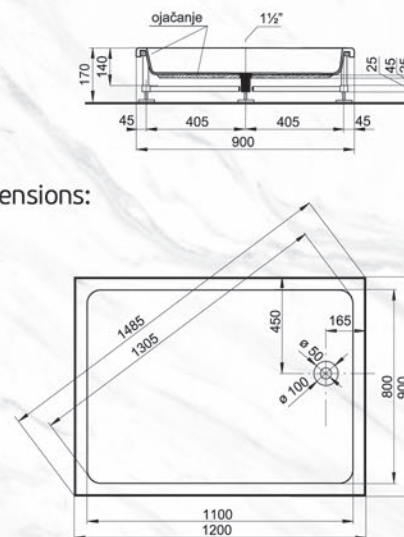
Alfa
dimenzije/dimensions:
110 x 75 cm



Alfa
dimenzije/dimensions:
120x 80 cm



Alfa
dimenzije/dimensions:
120 x 90 cm





Tuš kabine | Shower enclosures

Tuš kabine i paravani za kade izrađeni su od specijalnih, patentiranih, aluminijumskih profila koji su plastificirani u belo ili su od eloksiranih profila. Ispune kabina i paravana izrađeni su od polistirenskih poluprozirnih ploča, sa specijalnom teksturom koja smanjuje tragove vode, odnosno kamenca, ispunna može da bude i od polukarbonata (3mm) ili kaljenog stakla. Kvalitetni zaptivači, uključujući magnetne zaptivne trake na vratima, sprečavaju bilo kakvo prodiranje vode. Klizna vrata su sa točkicama, pa je za njihovo pokretanje potrebna minimalna sila. Kabine i paravani izrađuju se uglavnom prema standardnim dimenzijama, a moguća je i izrada po želji kupca (dimenzije i boje profila). U slučaju manjih dimenzija (ispod 80 cm), proizvodimo specijalne varijante tuš kabina od olakšanih profila sa dvostruko preklapajućim vratima, tako da je ulaz povećan čak na 2/3 širine kabine. Za specijalne potrebe ove tuš kabine i paravani, od olakšanih aluminijumskih profila, mogu se izrađivati i do max. širine koju zahteva kupac.

Shower and bathtub enclosures or screens are made of special, patented, aluminum profiles that are coated in white. Panels of the cabins and screens are made of semi-transparent polystyrene plates, with a special texture that reduces traces of water or stone. High quality seals, including magnetic sealing strip on the door, preventing any water penetration. Sliding doors with ball bearings enable to move them by minimal force. The enclosures and screens are made mainly according to standard sizes, but can be manufactured in accordance to customer wishes (regarding dimensions and color profiles). In the case of smaller sizes (below 80 cm), we produce special versions of the shower enclosures from lightened aluminum profiles with double folding doors, so that the input is increased even at 2/3 the width of the enclosure. For the special needs of these shower screens, from lightened aluminum profiles, can be produced up to max. customer inquiry.

POLYAGRAM[®]

TUŠ KABINE
Shower enclosures





Kvadratna kabina polistiren
Square shower enclosure polystyrene

dimenzije/dimensions:
80 x 80 x 180 cm
90 x 90 x 180 cm

Paneli kabina su od aluminijumskih profila i ploča od polistirena

Shower enclosure panels are made from aluminum profiles and semi-transparent polystyrene plates



Zaobljena kabina polistiren
Rounded shower enclosure - polystyrene

dimenzije/dimensions:
80 x 80 x 180 cm
90 x 90 x 180 cm

Paneli kabina su od aluminijumskih profila i ploča od polistirena

Shower enclosure panels are made from aluminum profiles and semi-transparent polystyrene plates



Zaobljena kabina PVC ispuna
Rounded shower PVC

dimenzije/dimensions:
80 x 80 x 180 cm
90 x 90 x 180 cm

Paneli kabina su od aluminijumskih profila i ploča od polistirena

Shower enclosure panels are made from aluminum profiles and semi-transparent polystyrene plates

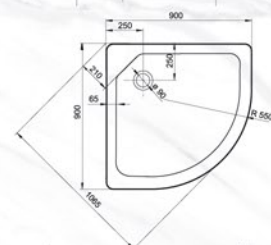
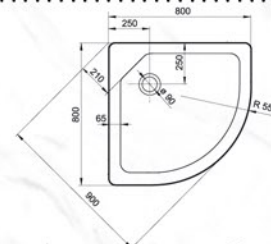
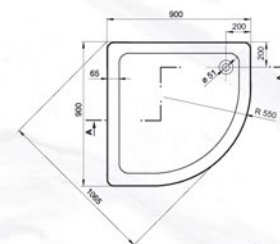
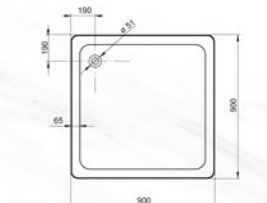
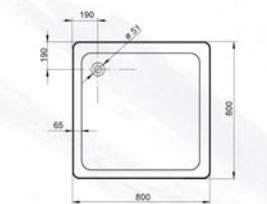
Dostupne boje za PVC ispunu



*transparentno/
transparent



Tuš kabine



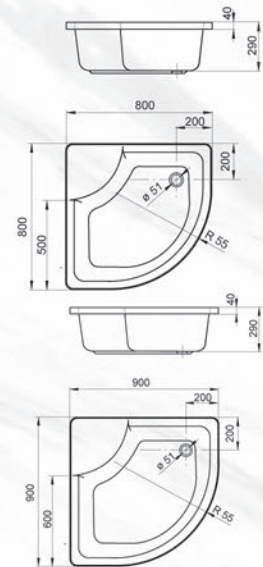


Zaobljena kabina za duboke
tus kade - polistiren
Rounded shower enclosure for
deep shower trays-polystyrene

dimenzije/dimensions:
80 x 80 x 155 cm
90 x 90 x 155 cm

*Paneli kabina su od aluminijumskih profila
i ploča od polistirena*

*Shower enclosure panels are made from aluminum
profiles and semi-transparent polystyrene plates*

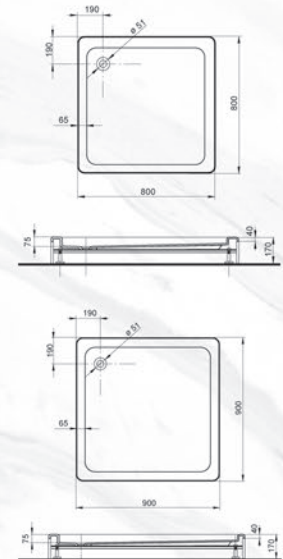


Trostrana kvadratna
kabina-polistiren
Three-sides square
enclosure -polystyrene

dimenzije/dimensions:
80 x 80 x 180 cm
90 x 90 x 180 cm

*Paneli kabina su od aluminijumskih profila
i ploča od polistirena*

*Shower enclosure panels are made from aluminum
profiles and semi-transparent polystyrene plates*



Zaobljena kabina
PVC ispuna
Rounded shower
PVC

dimenzije/dimensions:
80 x 80 x 180 cm
90 x 90 x 180 cm

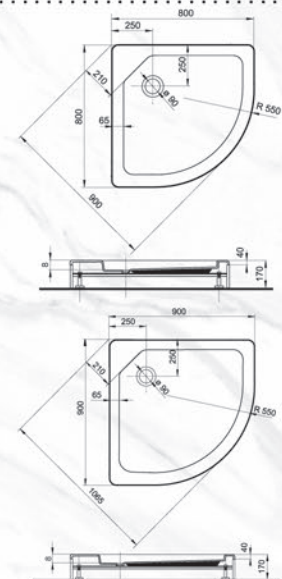
*Paneli kabina su od aluminijumskih profila
i ploča od polistirena*

*Shower enclosure panels are made from aluminum
profiles and semi-transparent polystyrene plates*

Dostupne boje za PVC ispunu



*transparentno/
transparent





Staklene kabine 8 mm | Glass cabins 8 mm

Tuširanje nije samo jedna od osnovnih higijenskih potreba, već i vid relaksacije i pomoć pri oslobađanju od stresnih situacija koje nas svakodnevno okružuju. Uživajte u svojoj intimi i uredite je onako kako Vi želite! Upoznajte se sa različitim sistemima, modelima, dizajnom i karakteristikama tuš kabina koje izrađujemo po Vašoj meri! Zašto bi vas ograničavala veličina Vašeg kupatila i već gotovih tuš kabina? Izrađujemo tuš kabine po Vašoj meri, modernog dizajna, vrhunskog kvaliteta, sa anti-plaque premazom za lakše održavanje, prilagođene svim zahtevima kupaca uz obezbeđen servis, rezervne delove i povoljne cene! U Vaše tuš kabine ugrađujemo okove od visokokvalitetnog mesinga hromirane specijalnom tehnologijom kako bi imali savršene performanse i dugotrajnosti, ili od visokokvalitetnog prohroma u zavisnosti od modela. Po načinu otvaranja tuš kabine delimo na fiksne tuš kabine (stakleni nepomerljivi paneli koji sprečavaju isticanje i prskanje vode na određenom delu kupatila) i tuš kabine koje mogu imati klizno otvaranje (sliding) i otvaranje oko ose (pivoting).

Showering is not only one of the basic hygiene needs, but also a form of relaxation and relief from the stressful situations that surround us every day. Enjoy your intimacy and edit it the way you want it! Get to know the different systems, models, design and features of the shower cabins we make to your liking! Why would you limit the size of your bathroom and already finished shower? We manufacture shower cabins according to your size, modern design, top quality, anti-plaque coating for easy maintenance, tailored to all customer requirements with secured service, spare parts and favorable prices! In your shower cabins, we install high-quality brass chrome-plated hardware with perfect performance and durability, or high-quality chrom depending on the model. By the way of opening the shower, we divide into fixed shower cabins (glass non-reinforced panels that prevent the spillage and spraying of water on a certain part of the bathroom) and shower cabins that can have sliding and opening around the pivoting.

POLYAGRAM[®]

STAKLENE KABINE 8 mm

Glass cabins 8 mm





Jednokrilna vrata
sa bočnim staklom

Single door
with side glass



Dvokrilna
frontalna vrata

Two-winged
front door



Frontalna
vrata

Frontal
door



Fiksni tuš
panel

Fixed shower
panel



Frontalna vrata sa
dovratnom i
bočnom stranom

Front door with
doorway and
side side



Frontalna
klizna vrata

Frontal
sliding doors



Harmonika
frontalna trodelna
vrata

Harmonika
frontal triple
the door



Kombinovani
fiksni tuš panel

Combined
fixed shower panel



Kabine za ugaone kade | Cabins for corner bathtubs

Kabine za ugaone kade izrađene su od specijalnih, patentiranih, aluminijumskih profila koji su plastificirani u belo, ili od eloksiranog profila. Paneli kabina su izrađeni od polistirenskih poluprozirnih ploča, sa specijalnom teksturom koja smanjuje tragove vode, odnosno kamenca. Kvalitetni zaptivači, uključujući magnetne zaptivne trake na vratima, sprečavaju bilo kakvo prodiranje vode. Klizna vrata su sa točkicama, pa je za njihovo pokretanje potrebna minimalna sila.

Cabins for corner bathtubs are made of special, patented, aluminum profiles that are coated in white. Panels of cabins are made of semi-transparent polystyrene plates, with a special texture that reduces traces of water or stone. High quality seals, including magnetic sealing strip on the door, preventing any water penetration. Sliding doors with ball bearings enable to move them by minimal force.

POLYAGRAM[®]

KABINE ZA UGAONE KADE

Cabins for corner bathtubs

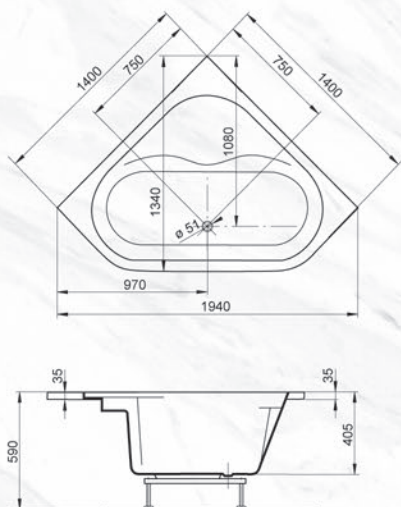


**Kabine za ugaone
kade |
Cabins for corner
bathtubs**



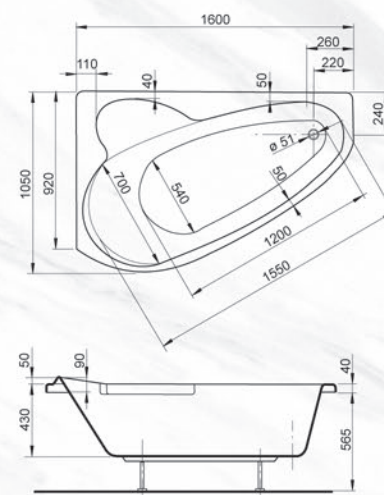
Dalas

dimenzije/dimensions:
140 x 140 cm



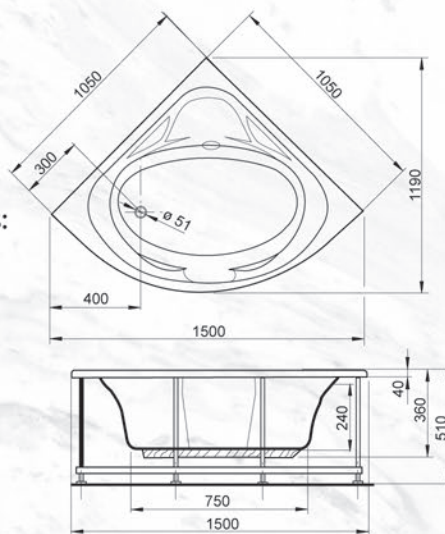
Rio

dimenzije/dimensions:
160 x 105 cm



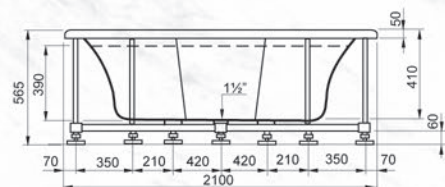
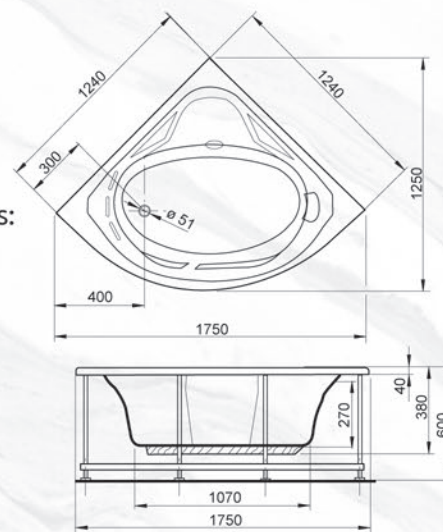
Miami

dimenzije/dimensions:
105 x 105 cm



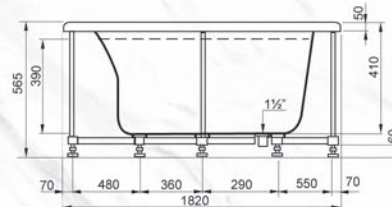
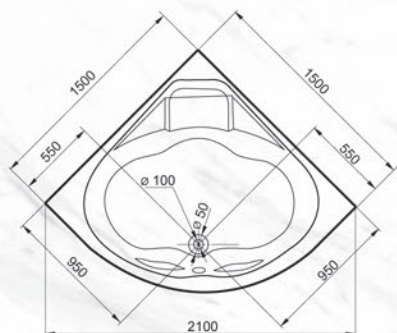
Athena

dimenzije/dimensions:
125 x 125 cm



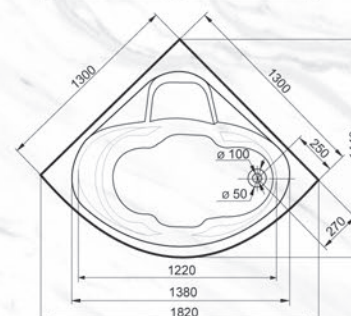
Malaga

dimenzije/dimensions:
150 x 150 cm



Majorka

dimenzije/dimensions:
130 x 130 cm





Paravani | Screens

Paravani za kade izrađeni su od specijalnih, patentiranih, aluminijumskih profila koji su plastificirani u belo, ili u boji koju kupac poželi. Paneli paravana izrađeni su od polistirenskih poluprozirnih ploča, sa specijalnom teksturom koja smanjuje tragove vode, odnosno kamenca. Kvalitetni zaptivači, uključujući magnetne zaptivne trake na vratima, sprečavaju bilo kakvo prodiranje vode. Klizna vrata su sa točkicama, pa je za njihovo pokretanje potrebna minimalna sila. Kabine i paravani izrađuju se uglavnom prema standardnim dimenzijama, a moguća je i izrada po želji kupca (dimenzije i boje profila). U slučaju manjih dimenzija (ispod 80 cm), proizvodimo specijalne varijante paravana od olakšanih profila sa dvostruko preklapajućim vratima, tako da je ulaz povećan čak na 2/3 širine paravana. Za specijalne potrebe ovi paravani, od olakšanih aluminijumskih profila, mogu se izrađivati i do max. širine po zahtevu kupca.

The screens for bathtubs are made of special, patented, aluminum profiles that are coated in white. Panels of the screens are made of semi-transparent polystyrene plates, with a special texture that reduces traces of water or stone. High quality seals, including magnetic sealing strip on the door, preventing any water penetration. Sliding doors with ball bearings enable to move them by minimal force. The screens are made mainly according to standard sizes, but can be manufactured in accordance to customer wishes (regarding dimensions and color profiles). In the case of smaller sizes (below 80 cm), we produce special versions of the screens from lightened aluminum profiles with double folding doors, so that the input is increased even at 2/3 the width of the screen. For the special needs of these screens, from lightened aluminum profiles, can be produced up to max. customer inquiry.

POLYAGRAM[®]

PARAVANI

Screens





Paravan sa dvoje vrata

Two doors
screens

polistiren





Paravan sa jednim vratima

One door
screen

polistiren



Paravan sa dvoje vrata

Two doors
screens

polistiren





Hidromasažni sistemi | Hydromassage systems

Masaža tela mlazovima vode već vekovima je poznata kao sredstvo za stimulaciju fizioloških procesa, pozitivne energije i očuvanje zdravlja. Zbog unapređenja tehnologije i proizvodnih procesa, danas su hidromasažne kade dostupne širem krugu ljudi koji brinu o svom i zdravlju svojih najbližih. Kupci hidromasažnih sistema danas su vlasnici i graditelji privatnih stanova, objekti kolektivnog stanovanja, sportski klubovi, fitnis centri, centri za ulepšavanje i negu tela, fizioterapeutske ustanove, banje i mnogi drugi. Polyagram ima već dvadesetogodišnje iskustvo u proizvodnji hidro-masažnih sistema i više od deset godina tradicije u razvoju i projektovanju sopstvenih modela te vrste proizvoda, prilagođenih potrebama odgovarajućih segmenata tržišta. Komponente za hidromasažne sisteme Polyagram nabavlja već godinama od najpoznatijih i proverenih svetskih proizvođača. Kao standardne proizvode, Polyagram proizvodi dve osnovne vrste hidromasažnih sistema. Prvi je sistem za masažu vodom, čije su glavne komponente standardne i mikro mlaznice, bešumna pumpa za vodu sa odgovarajućom regulacijom i komandama. Drugi sistem, koji se najčešće kombinuje sa prvim, obezbeđuje intenzivno strujanje vazduha kroz vodu preko odgovarajućih aero mlaznica. Ovaj vazdušni sistem, koji znatno uvećava efekat masaže, generiše strujanje vazduha pod pritiskom specijalnim bešumnim duvačem vazduha – „kompresorom“. Instalacije i komande su projektovane tako da obezbeđuju potpunu sigurnost korisnika. Hidromasažni sistemi se mogu ugraditi u sve veće kade naše proizvodnje, kao što je prikazano na narednim fotografijama.

Body Massage by jets of water for centuries was known as a means for stimulating physiological processes, positive energy and the preservation of health. Due to improvements in technology and manufacturing processes, today jetted bathtubs are available to many people who care about their health and their loved ones. Customers of hydromassage systems today are the owners and builders of private housing, collective housing facilities, sports clubs, fitness facilities, beauty and body care centers, physiotherapy facilities, spas, and many others. Polyagram already has twenty years of tradition in the production of hydro-massage systems and more than ten years of experience in developing and designing their own models of the products, tailored to the needs of the respective market segments. Components for hydro-massage systems Polyagram purchased for many years from the most trusted manufacturers in the world. As standard products, Polyagram produces two basic types of hydro massage systems. The first is a system for water massage, where the main components are the standard and micro jets, silent water pump with appropriate regulation and controls. The second system, which is usually combined with the first one, provides intensive air flow through the water by the appropriate air nozzle. This air system, which significantly increases the effect of massage, generates a flow of air under pressure from a special noiseless air blower - "Compressor". Installations and controls are designed to provide complete safety of users. Hydromassage systems can be mounted into most of the of our tubs, as shown in the following photographs.



POLYAGRAM®

HIDROMASAŽNI SISTEMI

Hydromassage systems



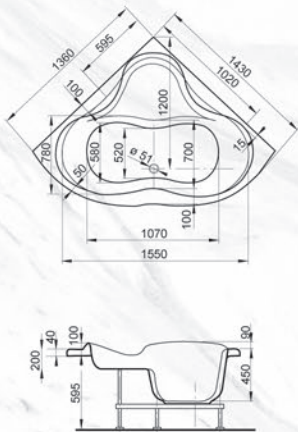


Hidromasažni sistemi Hydromassage systems



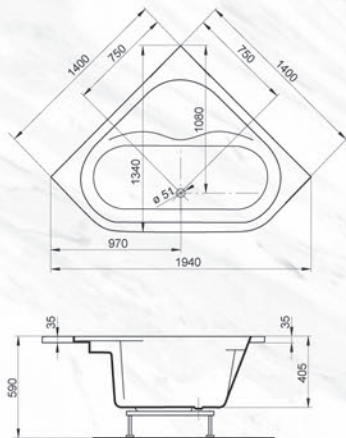
Verona

dimenzije/dimensions:
143 x 143 cm



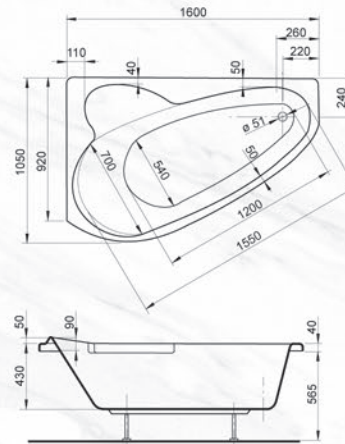
Dalas

dimenzije/dimensions:
140 x 140 cm



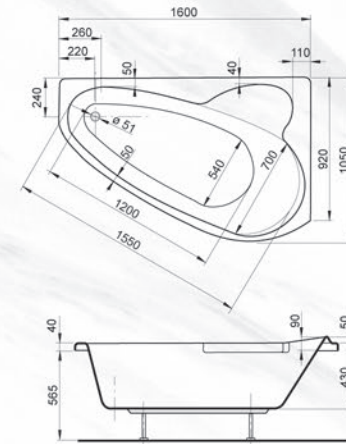
Rio leva

dimenzije/dimensions:
160 x 105 cm



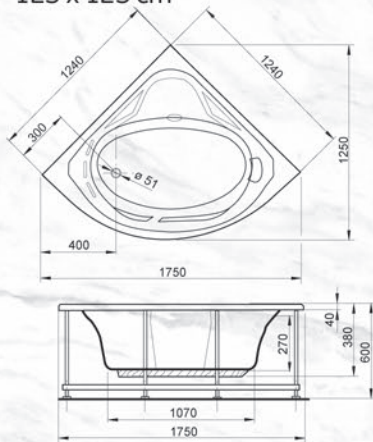
Rio desna

dimenzije/dimensions:
160 x 105 cm



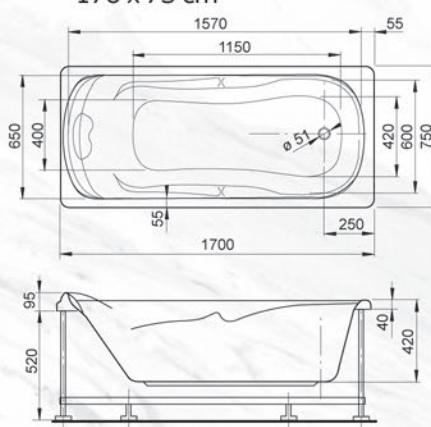
Athena

dimenzije/dimensions:
125 x 125 cm



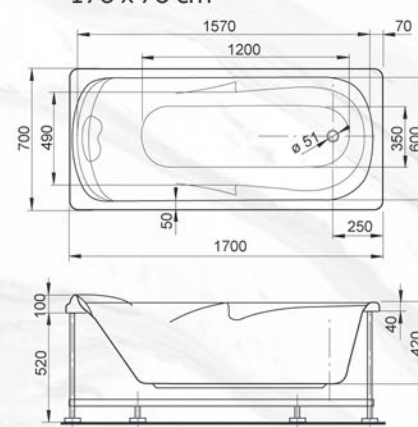
Geneva

dimenzije/dimensions:
170 x 75 cm



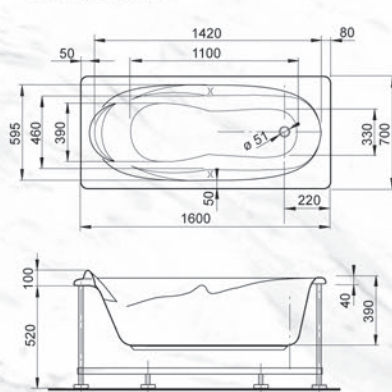
Roma

dimenzije/dimensions:
170 x 70 cm



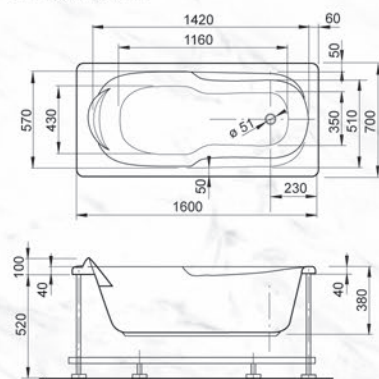
Monako

dimenzije/dimensions:
160 x 70 cm



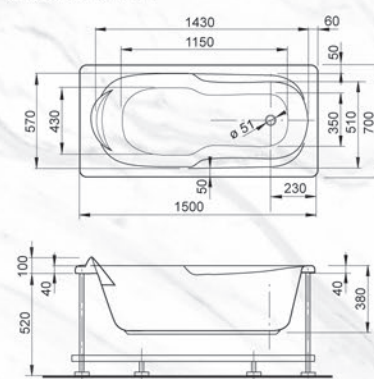
Paris

dimenzije/dimensions:
160 x 70 cm



Nica

dimenzije/dimensions:
150 x 70 cm





AGRAMSTONE kompozitni materijal | AGRAMSTONE composite material

AGRAMSTONE kompozitni materijal zbog svojih izuzetnih osobina puni doprinos daje pri opremanju enterijera, kako domova, tako i javnih objekata. Zahvaljujući neograničenim mogućnostima oblikovanja, velikoj paleti boja, neograničene su i mogućnosti dizajnerskih rešenja za opremanje unutrašnjeg prostora. Veliki broj svetski priznatih dizajnera, arhitekata i proizvođača nameštaja dugi niz godina koriste Solid surface materijale prilikom realizacije svojih ideja i proizvoda.

AGRAMSTONE proizvodi su ploče različitih dimenzija i debljina a u planu je izrada i umivaonika za kupatilski nameštaj.

Paleta boja je neograničena ali se AGRAMSTONE radi u 4 boje kako bi se na taj način garantovao kvalitet krajnjeg proizvoda.

AGRAMSTONE composite material, due to its exceptional features, makes full contribution in furnishing interiors, both in homes and public buildings. Thanks to unlimited design possibilities, a wide range of colors, there are limitless possibilities for design solutions for interior lighting. A large number of world-renowned designers, architects and furniture manufacturers use Solid surface materials for many years in the realization of their ideas and products.

AGRAMSTONE is manufactured by boards of various sizes and thicknesses and is planned to be made and wash basins for bathroom furniture.

The color palette is unlimited, but AGRAMSTONE is in 4 colors in order to guarantee the quality of the finished product.

POLYAGRAM[®]

**AGRAMSTONE
KOMPOZITNI MATERIJAL**

AGRAMSTONE composite material



Iris 60



Iris 90



Korona 90



Flora 83



Agramstone
kompozitni
materijal

agramstone composite material

Medicinske kade

Medical bathtub



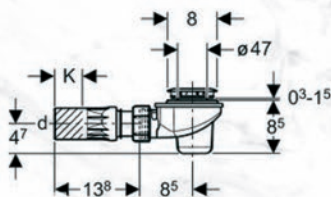
Geberit

sifoni

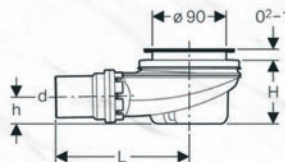
Geberit siphons

- 01 | Geberit odvodna sifonska garnitura za tuš ø50
- 02 | Geberit odvodna sifonska garnitura za tuš ø90 sa poklopcem odvoda, visina sifona 50 mm
- 03 | Ekscentrična odvodna i prelivna garnitura ø52 za kade, standardna veličina

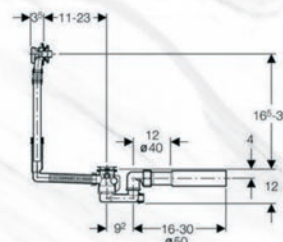
01



02



03





POLYAGRAM®

Solinska 10 | 34000 Kragujevac | Srbija

Tel.: +381 34 305 460

+381 34 305 461

Fax: +381 34 300 312

e-mail: info@polyagram.rs

www.polyagram.rs